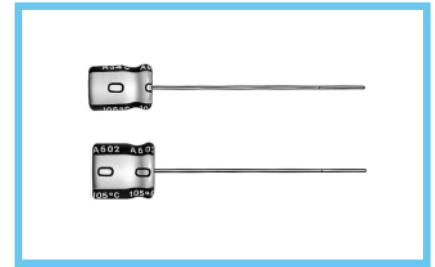
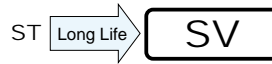


# ALUMINUM ELECTROLYTIC CAPACITORS

**SV** 7mmL, Long Life Assurance  
series



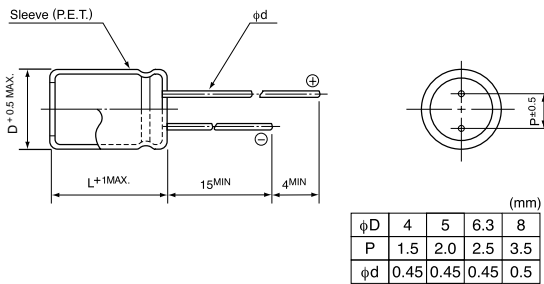
- Extended load life of 5000 hours at +105°C, with 7mm height.
- Adapted to the RoHS directive (2002/95/EC).



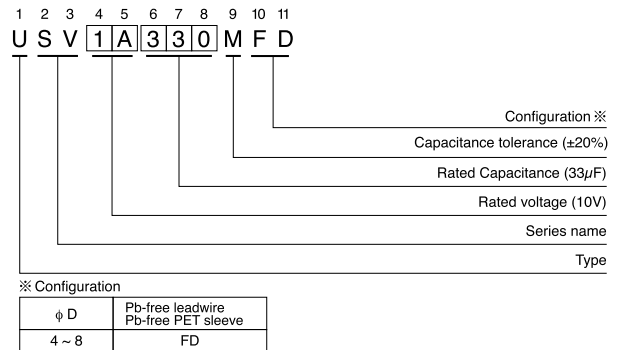
## Specifications

Item	Performance Characteristics																							
Category Temperature Range	-40 ~ +105°C																							
Rated Voltage Range	6.3 ~ 50V																							
Rated Capacitance Range	0.1 ~ 220μF																							
Capacitance Tolerance	±20% at 120Hz, 20°C																							
Leakage Current	After 2 minutes' application of rated voltage, leakage current is not more than 0.01CV or 3(μA), whichever is greater.																							
tan δ	Measurement frequency : 120Hz, Temperature : 20°C																							
	<table border="1"> <tr> <td>Rated voltage (V)</td> <td>6.3</td> <td>10</td> <td>16</td> <td>25</td> <td>35</td> <td>50</td> </tr> <tr> <td>tan δ (MAX.)</td> <td>0.24</td> <td>0.21</td> <td>0.18</td> <td>0.15</td> <td>0.13</td> <td>0.12</td> </tr> </table>	Rated voltage (V)	6.3	10	16	25	35	50	tan δ (MAX.)	0.24	0.21	0.18	0.15	0.13	0.12									
Rated voltage (V)	6.3	10	16	25	35	50																		
tan δ (MAX.)	0.24	0.21	0.18	0.15	0.13	0.12																		
Stability at Low Temperature	Measurement frequency : 120Hz																							
	<table border="1"> <tr> <td colspan="2">Rated voltage (V)</td> <td>6.3</td> <td>10</td> <td>16</td> <td>25</td> <td>35</td> <td>50</td> </tr> <tr> <td>Impedance ratio</td> <td>Z-25°C / Z+20°C</td> <td>4</td> <td>3</td> <td>2</td> <td>2</td> <td>2</td> <td>2</td> </tr> <tr> <td>ZT / Z20 (MAX.)</td> <td>Z-40°C / Z+20°C</td> <td>8</td> <td>6</td> <td>4</td> <td>3</td> <td>3</td> <td>3</td> </tr> </table>	Rated voltage (V)		6.3	10	16	25	35	50	Impedance ratio	Z-25°C / Z+20°C	4	3	2	2	2	2	ZT / Z20 (MAX.)	Z-40°C / Z+20°C	8	6	4	3	3
Rated voltage (V)		6.3	10	16	25	35	50																	
Impedance ratio	Z-25°C / Z+20°C	4	3	2	2	2	2																	
ZT / Z20 (MAX.)	Z-40°C / Z+20°C	8	6	4	3	3	3																	
Endurance	After 5000 hours' application of rated voltage at 105°C, capacitors meet the characteristic requirements listed at right.																							
	Capacitance change	Within ±30% of initial value																						
	tan δ	300% or less of initial specified value																						
Shelf Life	After 1000 hours' application of rated voltage at 105°C, capacitors meet the characteristic requirements listed at right.																							
	Leakage current	Initial specified value or less																						
Marking	Printed with silver color letter on dark brown sleeve.																							

## Radial Lead Type



## Type numbering system (Example: 10V 33μF)



## Dimensions

Cap.(μF)	Code	6.3		10		16		25		35		50	
		0J		1A		1C		1E		1V		1H	
0.1	0R1											4 × 7	1.0
0.22	R22											4 × 7	2.3
0.33	R33											4 × 7	3.5
0.47	R47											4 × 7	5.0
1	010											4 × 7	10
2.2	2R2											4 × 7	19
3.3	3R3											4 × 7	24
4.7	4R7									4 × 7	24	5 × 7	29
10	100					4 × 7	29	5 × 7	33	5 × 7	36	6.3 × 7	44
22	220	4 × 7	34	5 × 7	38	5 × 7	44	6.3 × 7	51	6.3 × 7	57	8 × 7	65
33	330	5 × 7	42	5 × 7	47	6.3 × 7	57	6.3 × 7	63	8 × 7	72		
47	470	5 × 7	50	6.3 × 7	59	6.3 × 7	68	8 × 7	78				
100	101	6.3 × 7	77	8 × 7	96	8 × 7	107						
220	221	8 × 7	130										

Rated Ripple (mArms) at 105°C 120Hz

## Frequency coefficient of rated ripple current

Frequency	50 Hz	120 Hz	300 Hz	1 kHz	10 kHz ~
Coefficient	0.70	1.00	1.17	1.36	1.50

Please refer to page 21, 22, 23 about the formed or taped product spec.  
 Please refer to page 3 for the minimum order quantity.